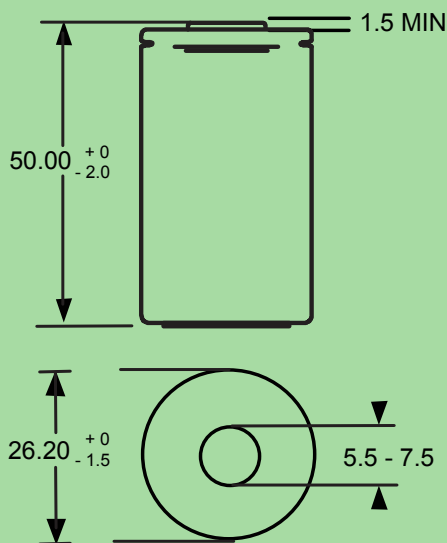




Model No.: **GP220CH**



Unit : mm

Benefits :

- Money saving (1 x ReCyko⁺ = Up to 1000 single-use batteries)
- Guaranteed for 6 years or 1000 recharges, whichever comes first
- Ready to use, precharged
- Holds power up to 80% after 1 year once fully charged
- Recharged by GP Charger for the best performance
- Cost saving and environmentally friendly

Specifications :

- GP ReCyko⁺ Rechargeable battery
- Nickel Metal Hydride chemistry
- C size
- Rated capacity 2200mAh
- Nominal voltage 1.2V
- Gross weight ~61g

Applications best for :



Battery handling :

- Batteries should be charged prior to use.
- Remove batteries from the electrical device if the device is not going to be used for a long period of time.
- Do not mix new batteries in use with semi-used batteries.
- In order to maintain satisfactory cell/battery performance when being stored under an extensive period of time, fully charging the cell/battery every 6-9 months is highly recommended.

