

# GP Batteries

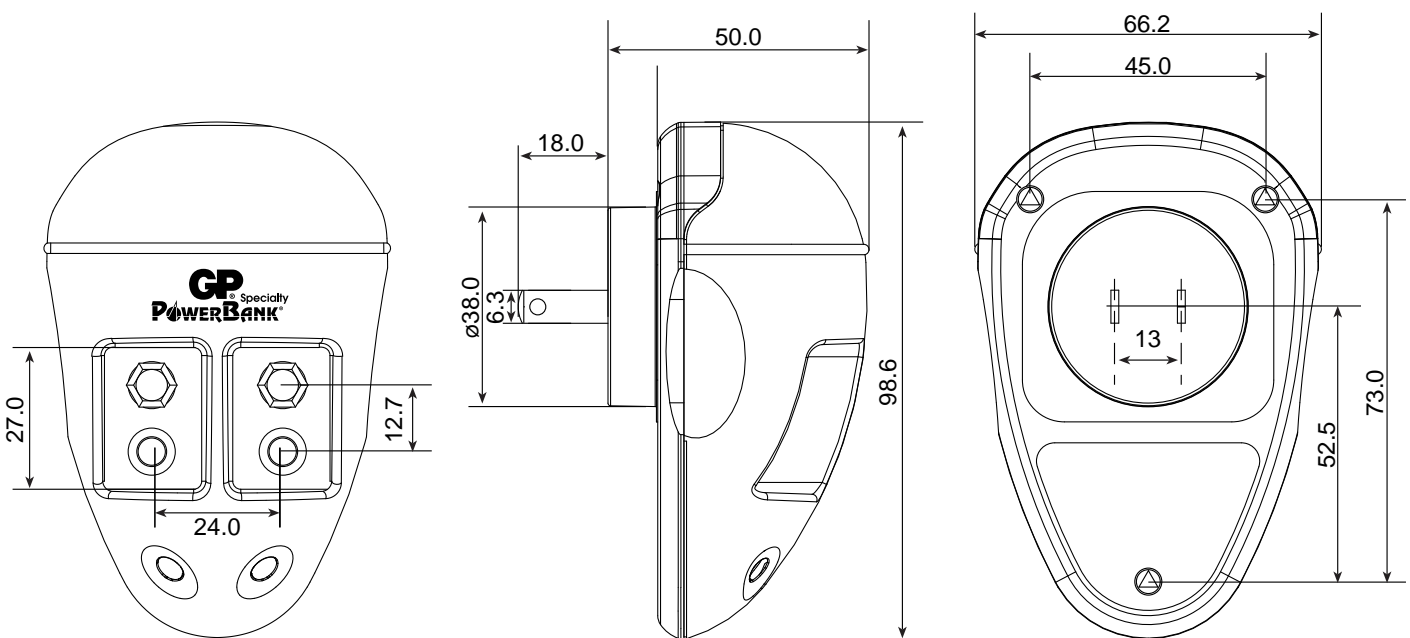
## Product Specification

Model No.: GPPB09US

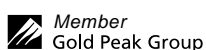
|                  |   |   |
|------------------|---|---|
| Description      | : | 9V Battery Charger                                |
| Input Power      | : | 2.5W  |
| Input Voltage    | : | 120V AC 60Hz                                      |
| Output Voltage   | : | 2 x 9.8V DC                                       |
| Application      | : | For charging 1 to 2 pcs NiMH or NiCd 9V batteries |
| Charging Current | : | 24mA +/- 12%                                      |
| Charging Time    | : |   |

| Type | Size | Voltage   | Capacity (mAh) | Time (hours) |
|------|------|-----------|----------------|--------------|
|      |      |           |                | 1-2 pcs      |
| NiMH | 9V   | 7.2 / 8.4 | 150            | ~8           |
|      |      |           | 170            | ~10          |

|                       |   |   |
|-----------------------|---|---|
| MTBF                  | : | 30000 hours (at ambient temperature 25°C) |
| Operating Temperature | : | 0°C to 45°C                               |
| Storage Temperature   | : | -25°C to 60°C                             |
| Charge Indicator      | : | 2 Green LEDs, 1 per channel               |
| Dimensions            | : | 98.6 (L) X 66.2 (W) X 68.0 (T) mm         |
| Approval              | : | UL  |
| Warranty Period       | : | 12 months from ex-factory date.           |



Unit: mm



Manufacturer reserves the right to alter or amend the design, model and specification without prior notice.

03030103077